

INSTRUCTIONS FOR PRINTING SHAMIR CENTRATION CHARTS TO SCALE

1. To print, go to **File**, then select **Print...**
2. Select Printer Name
3. Under the **Page Handling** section, navigate to **Page Scaling** and ensure **"None"** is selected in the drop down menu.

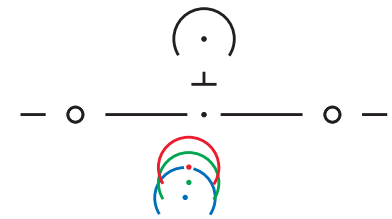
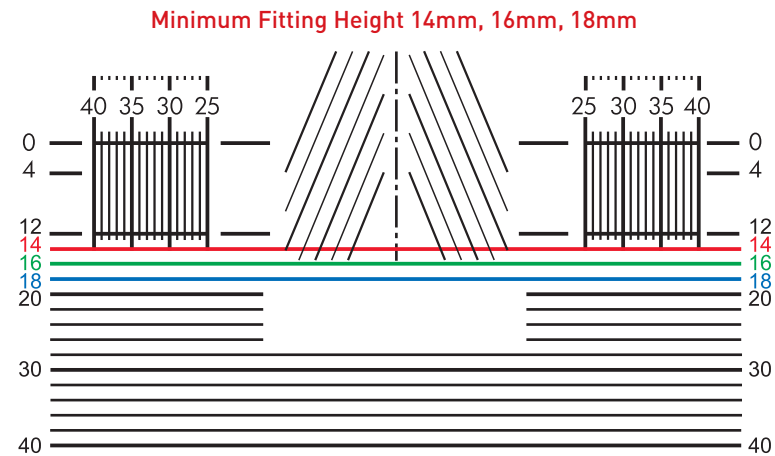
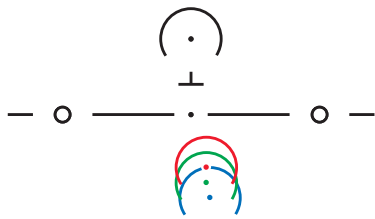
4. Press "OK" to print.

NOTE: If Page Scaling is set at anything other than "None," measurements may be incorrect.

L

14mm, 16mm, 18mm minimum fitting heights CENTRATION CHART

R



This chart to be used with:

SPECTRUM
SHAMIR


SHAMIR